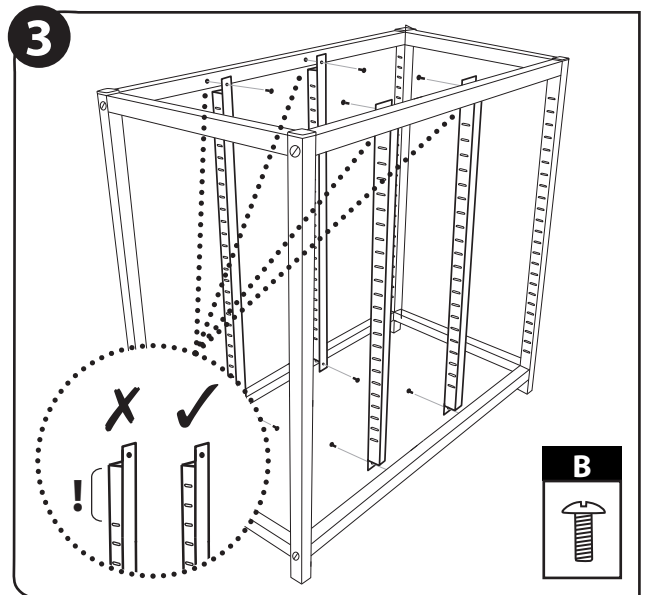
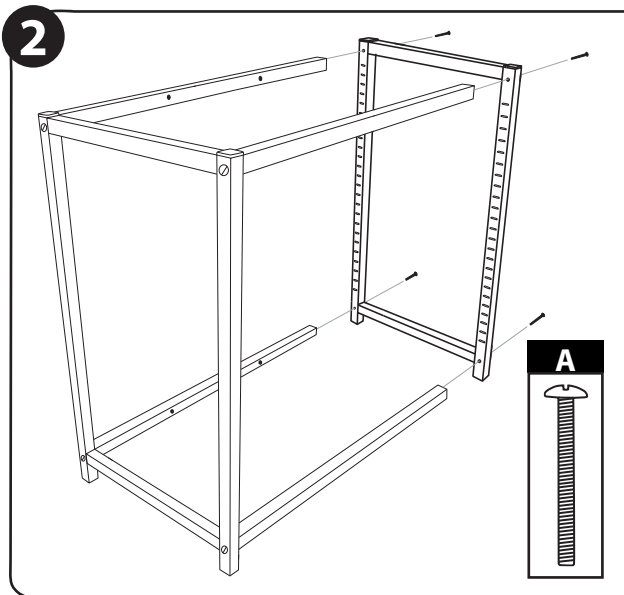
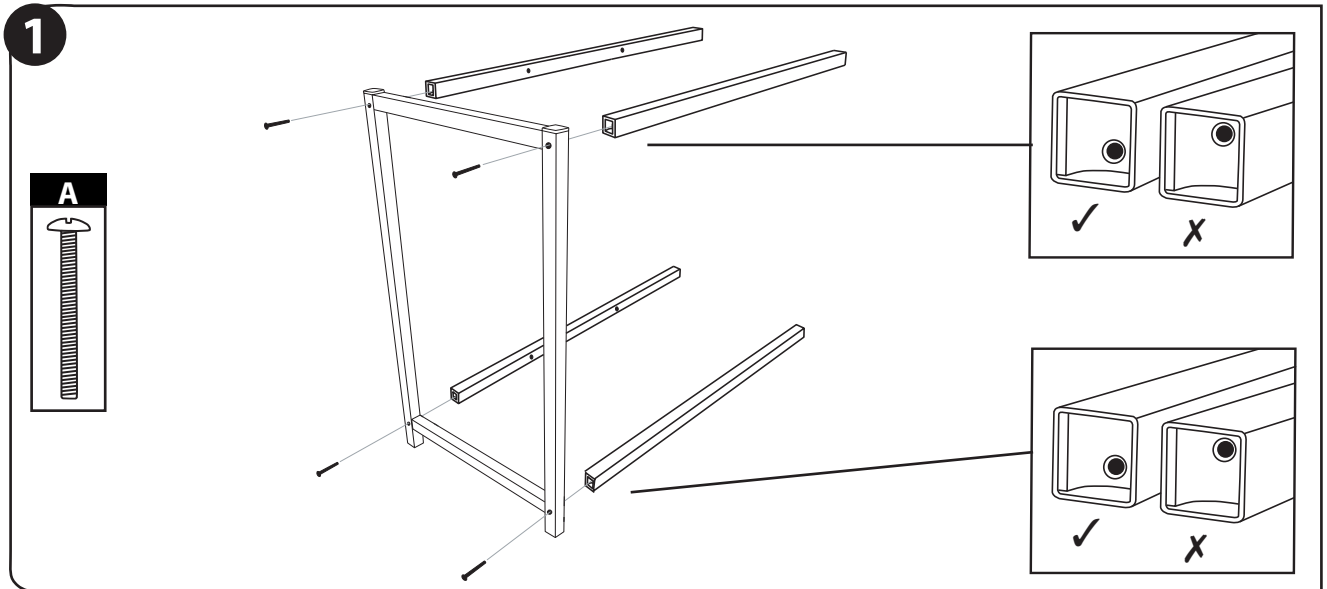
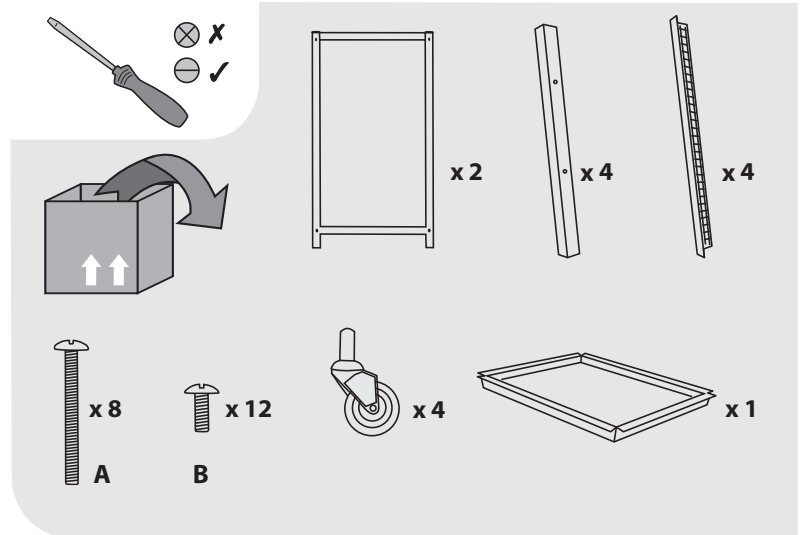


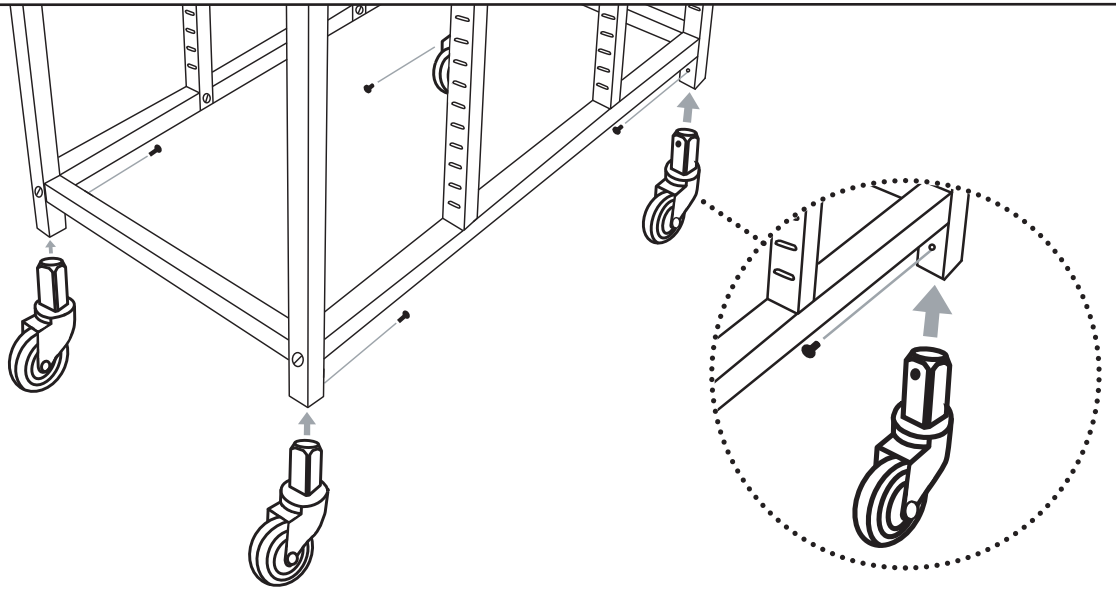
# Assembly Instructions



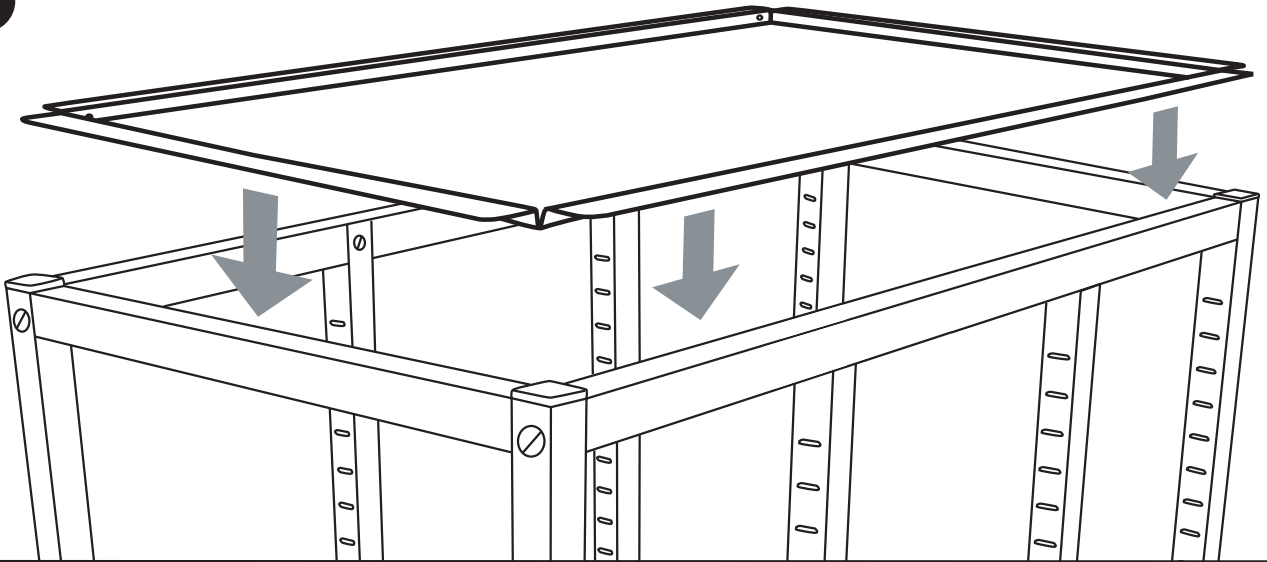
Reference: 3025



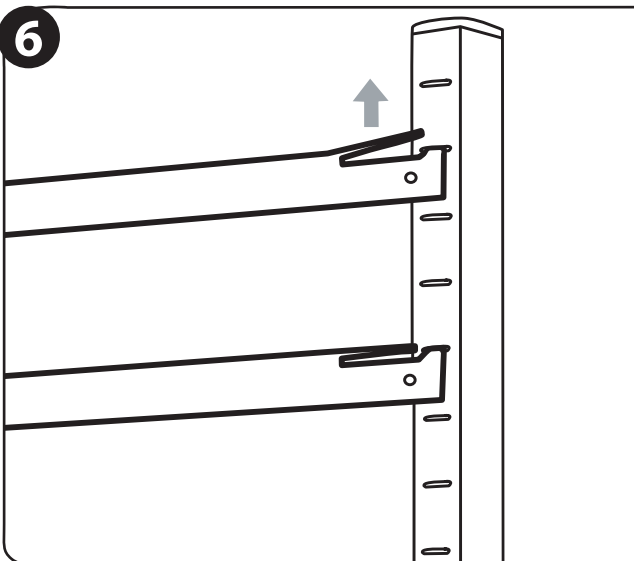
4



5



6



?



01257 426351



orders@e4e.co.uk