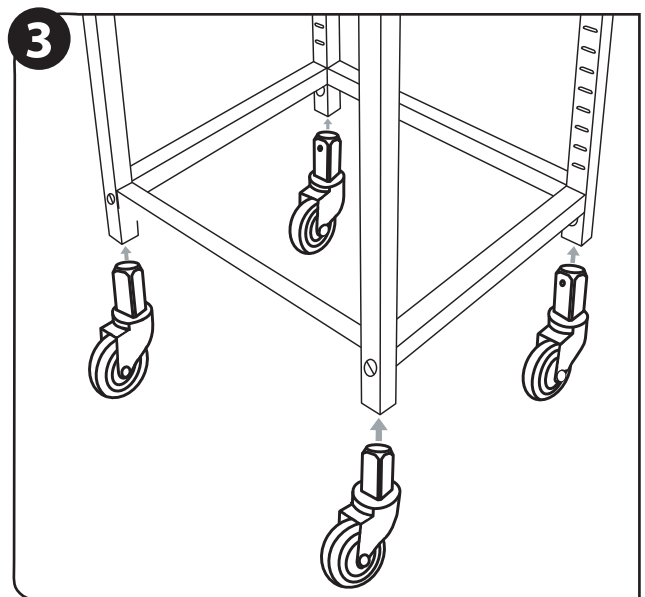
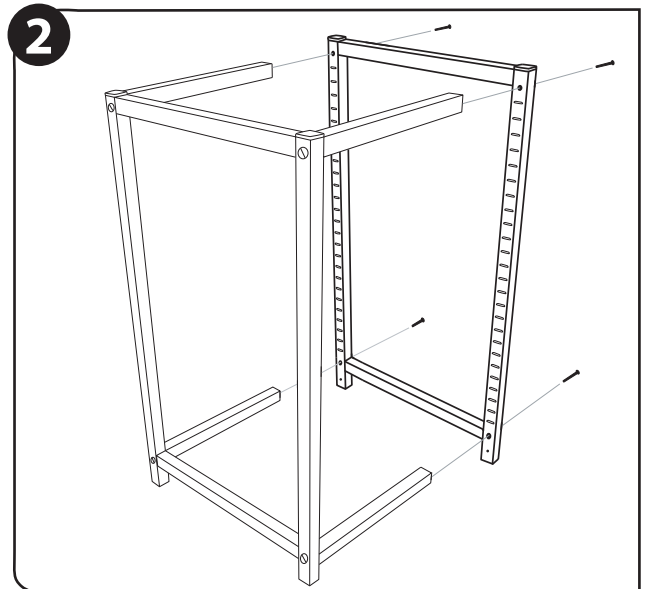
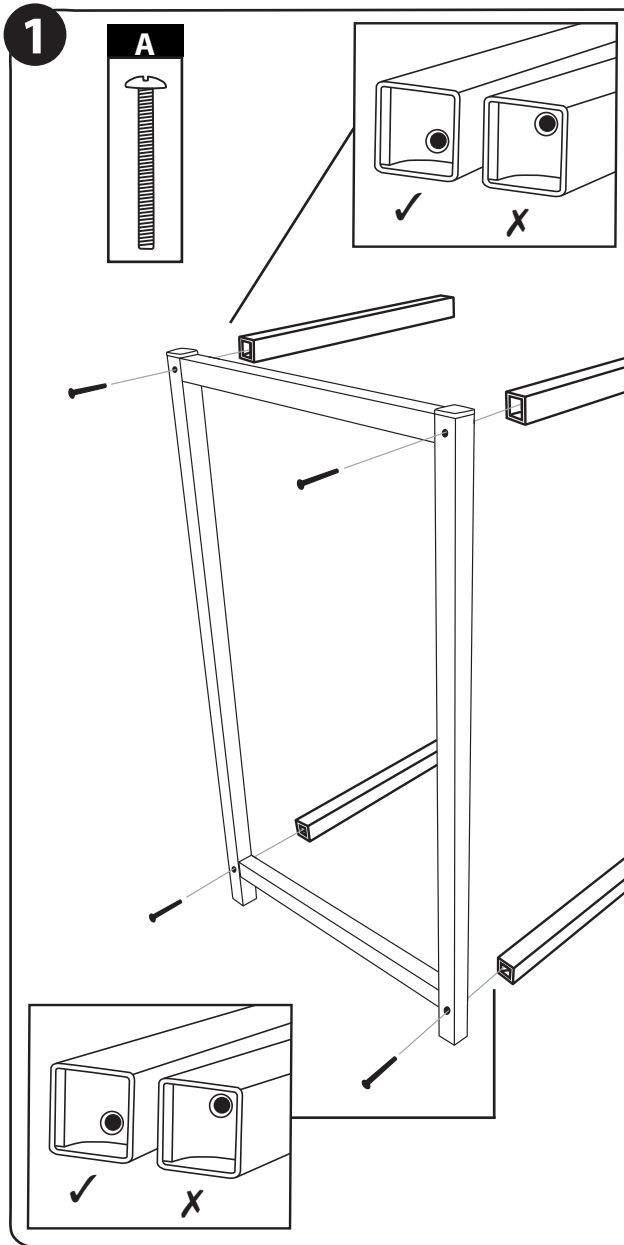
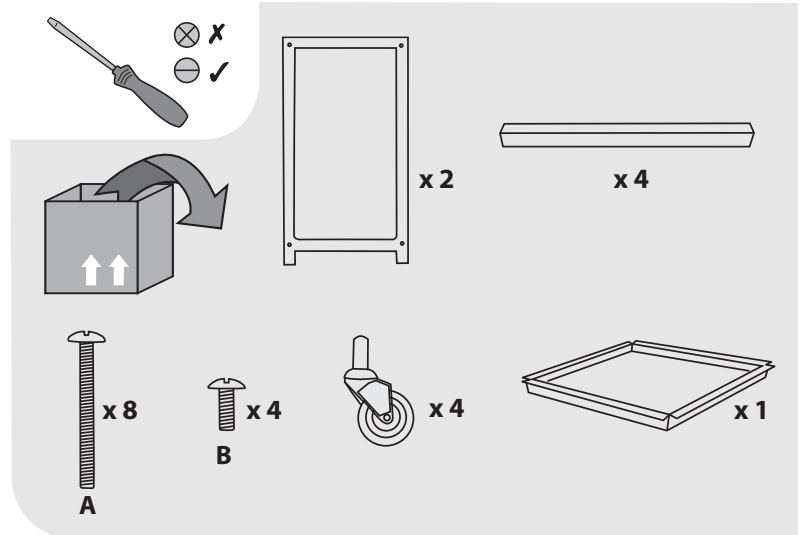
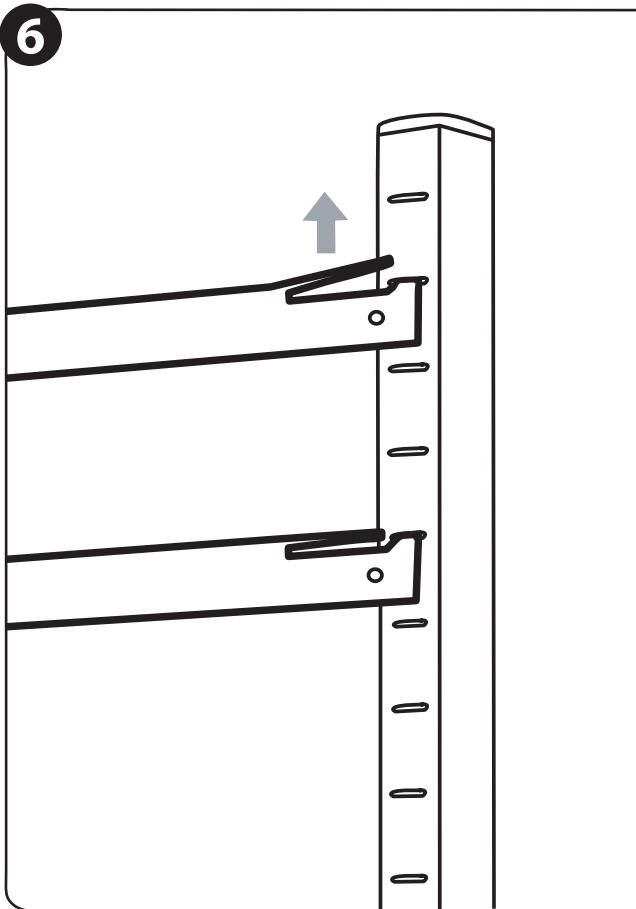
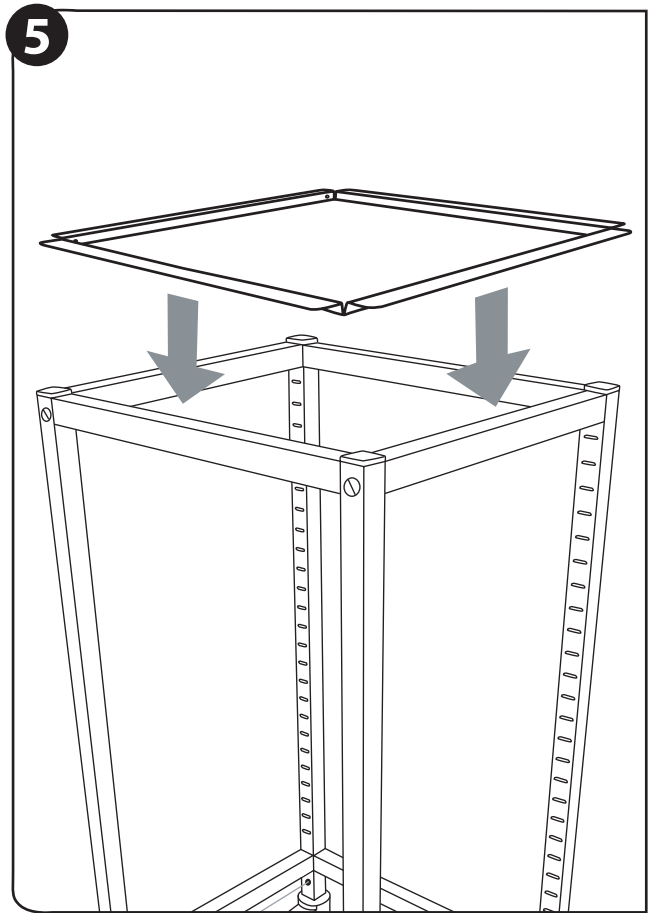
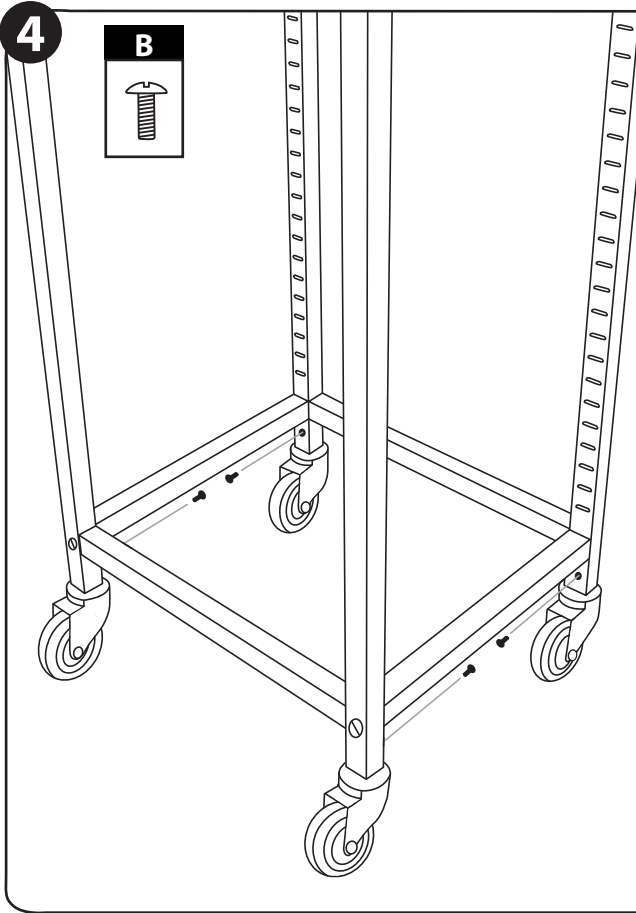


Assembly Instructions




Reference: 1025






?



01257 426351



orders@e4e.co.uk

Diagram 7 is a grey rectangular area containing a question mark icon, a phone icon, the phone number 01257 426351, an email icon, and the email address orders@e4e.co.uk.