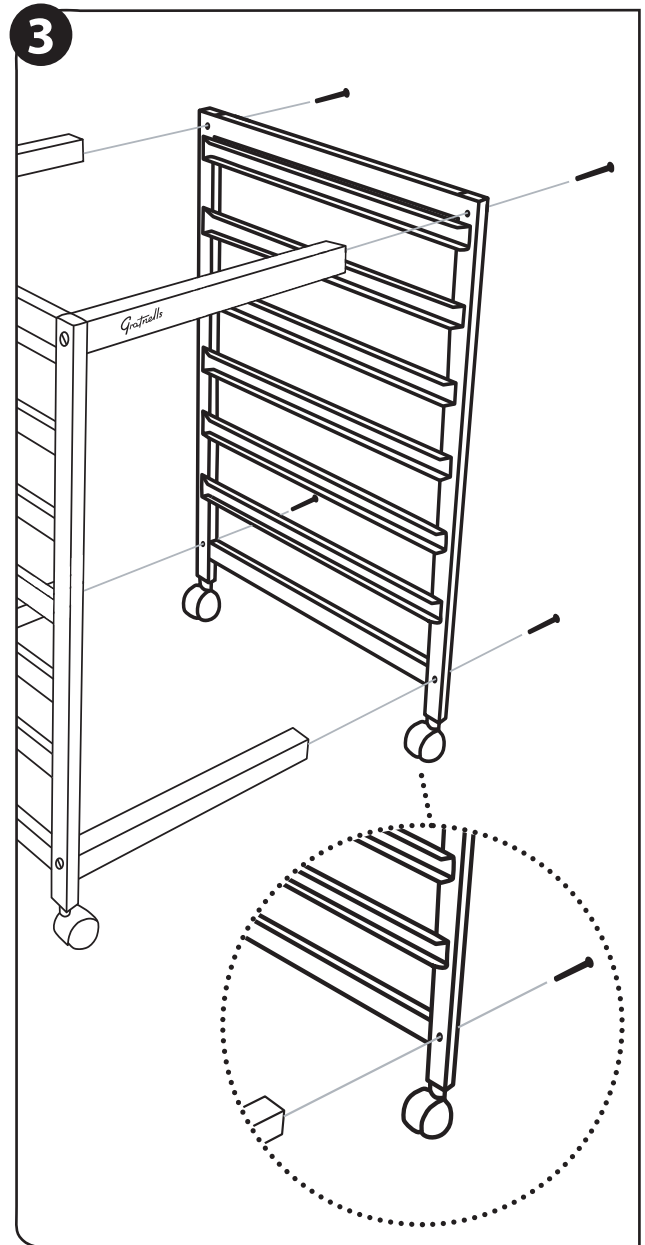
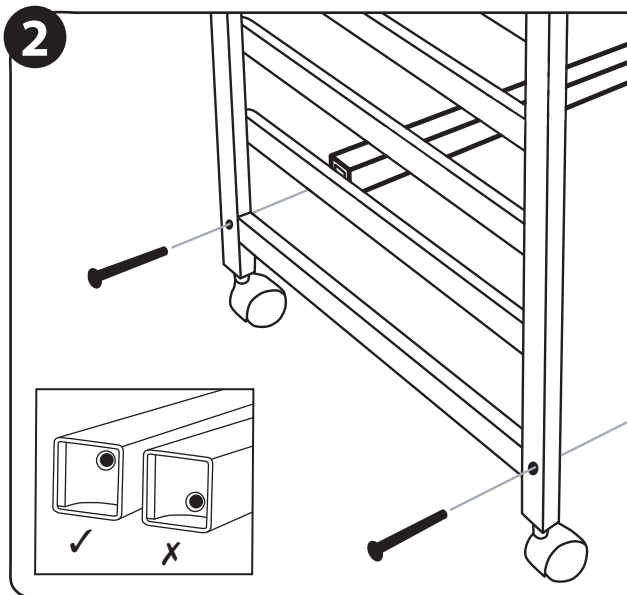
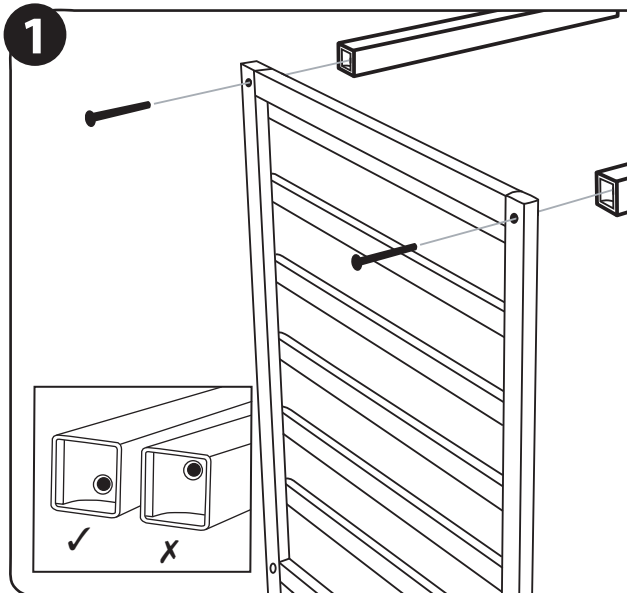
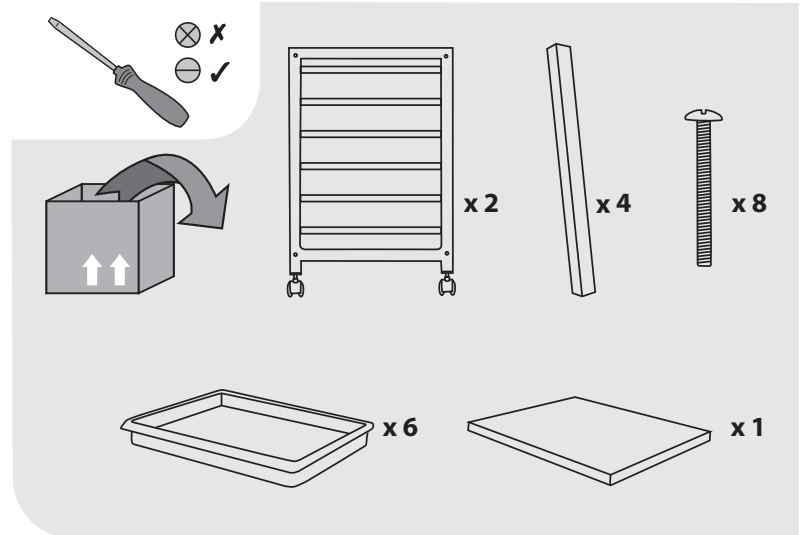


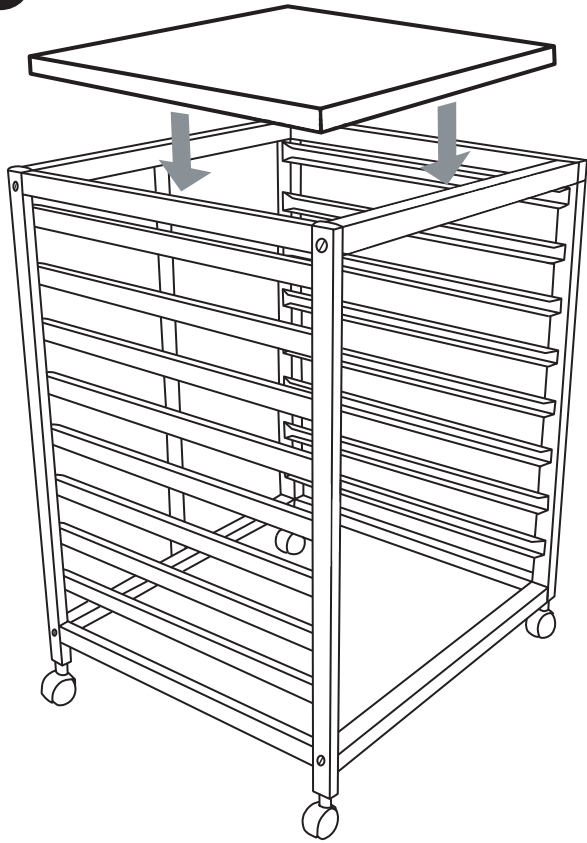
Assembly Instructions



Reference: 401



4



?



01257 426351



orders@e4e.co.uk

+

A

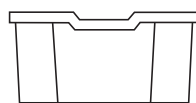


x6

B

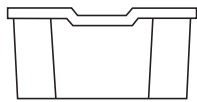


x2



x2

C

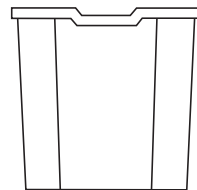


x3

D

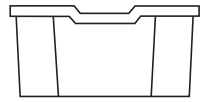


x2

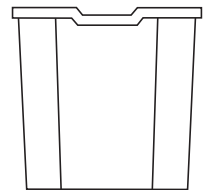


x1

E



x1



x1