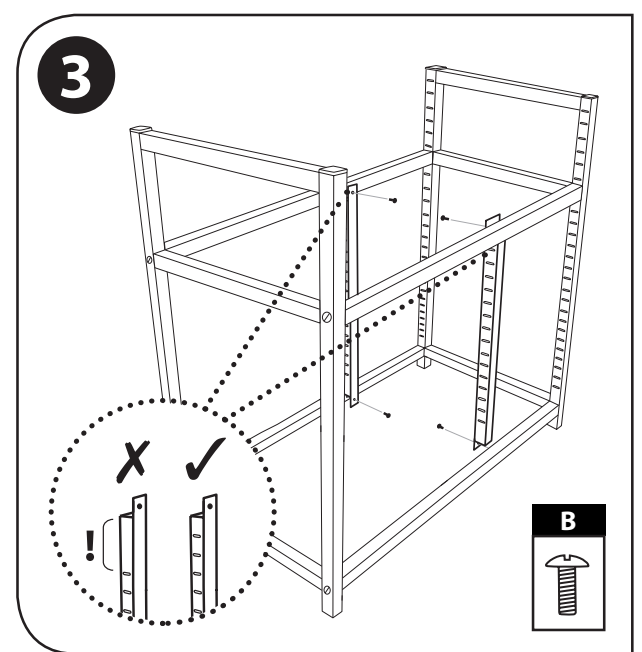
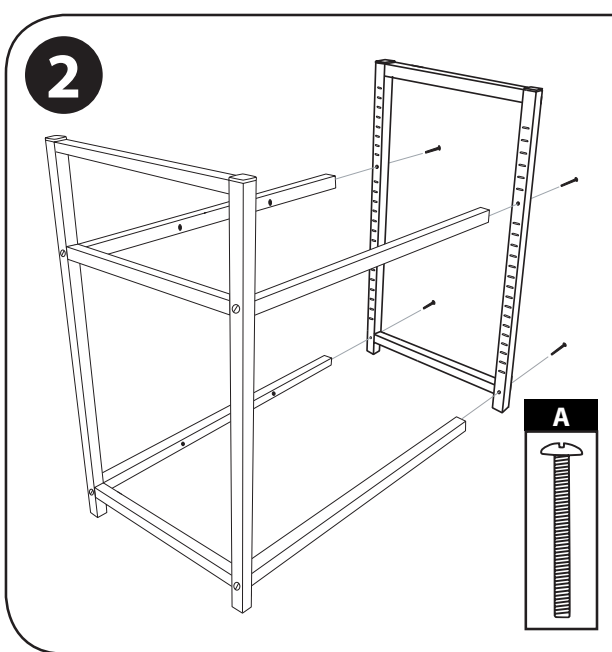
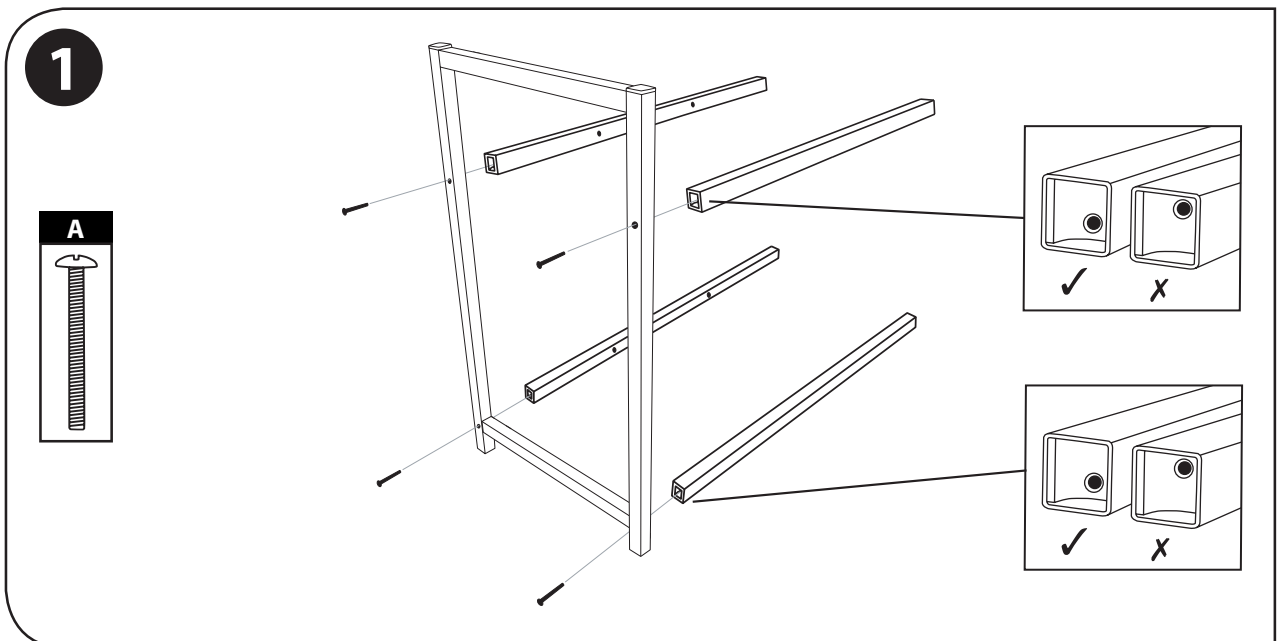
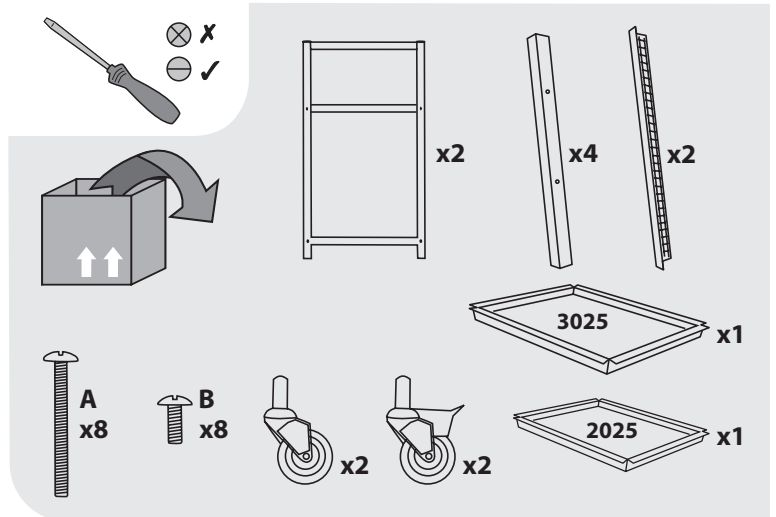
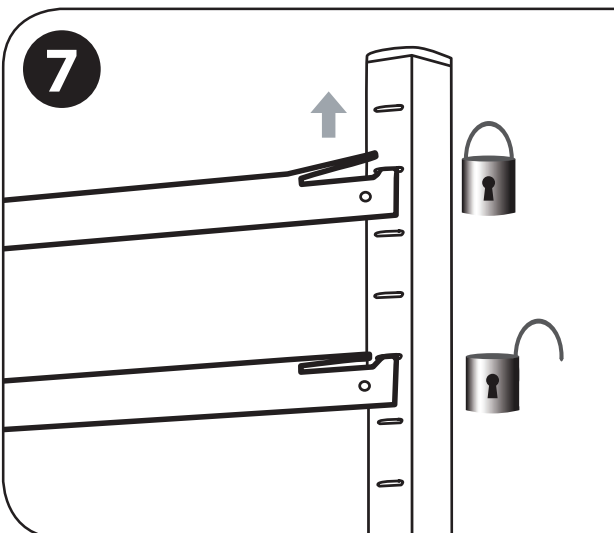
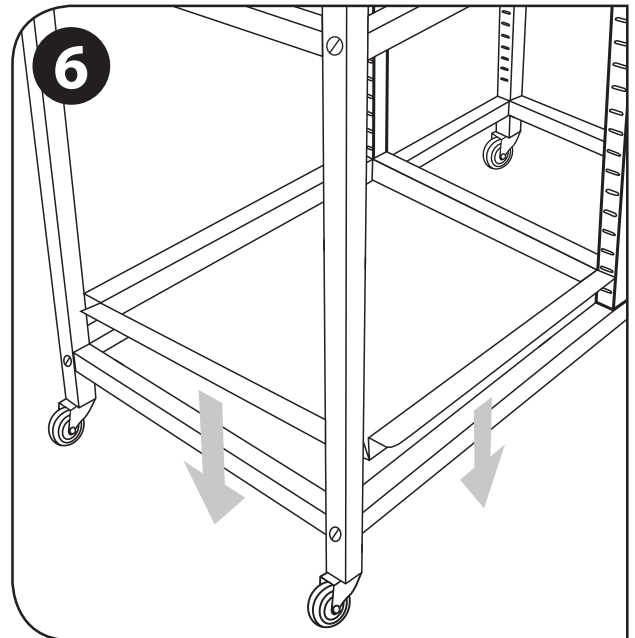
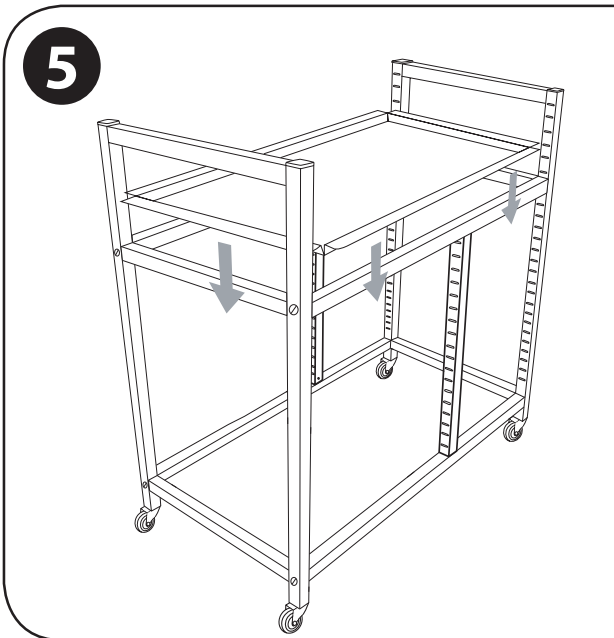
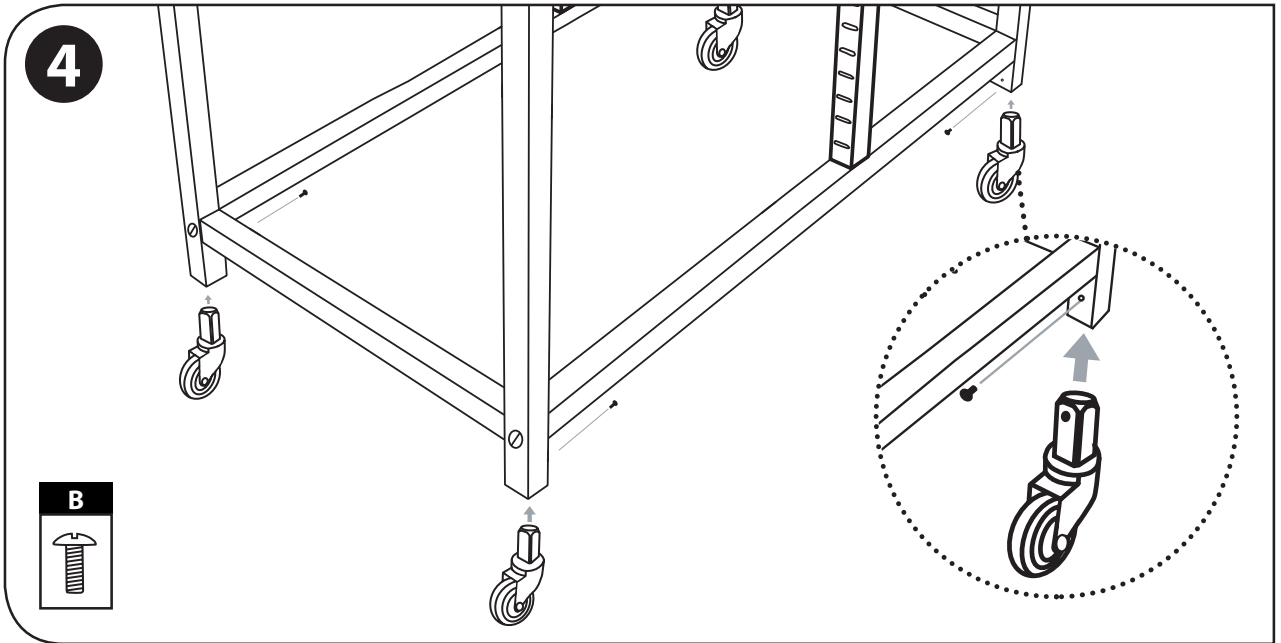


Assembly Instructions



Code	School:	3021
------	---------	------





?

129 Bradley Hall Trading Estate, Bradley Lane,
Standish, Wigan, WN6 0XQ

Phone: 01257 426351
E-mail: orders@e4e.co.uk
Website: www.e-quip4education.co.uk