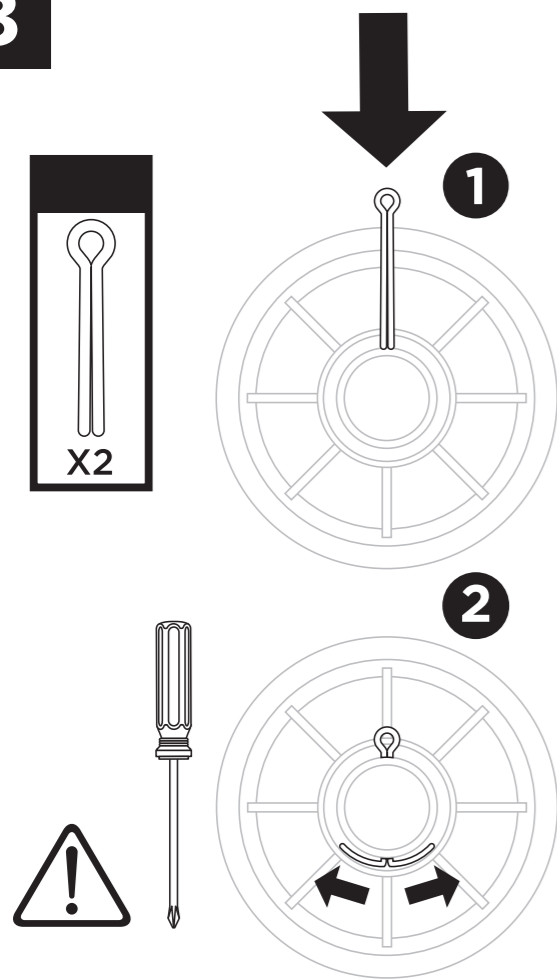
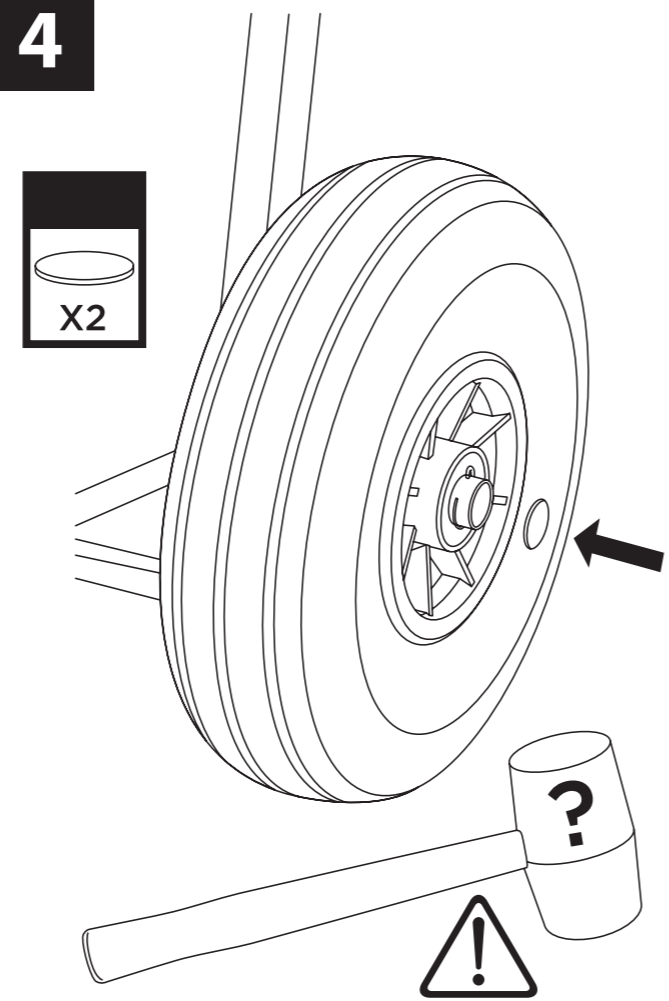


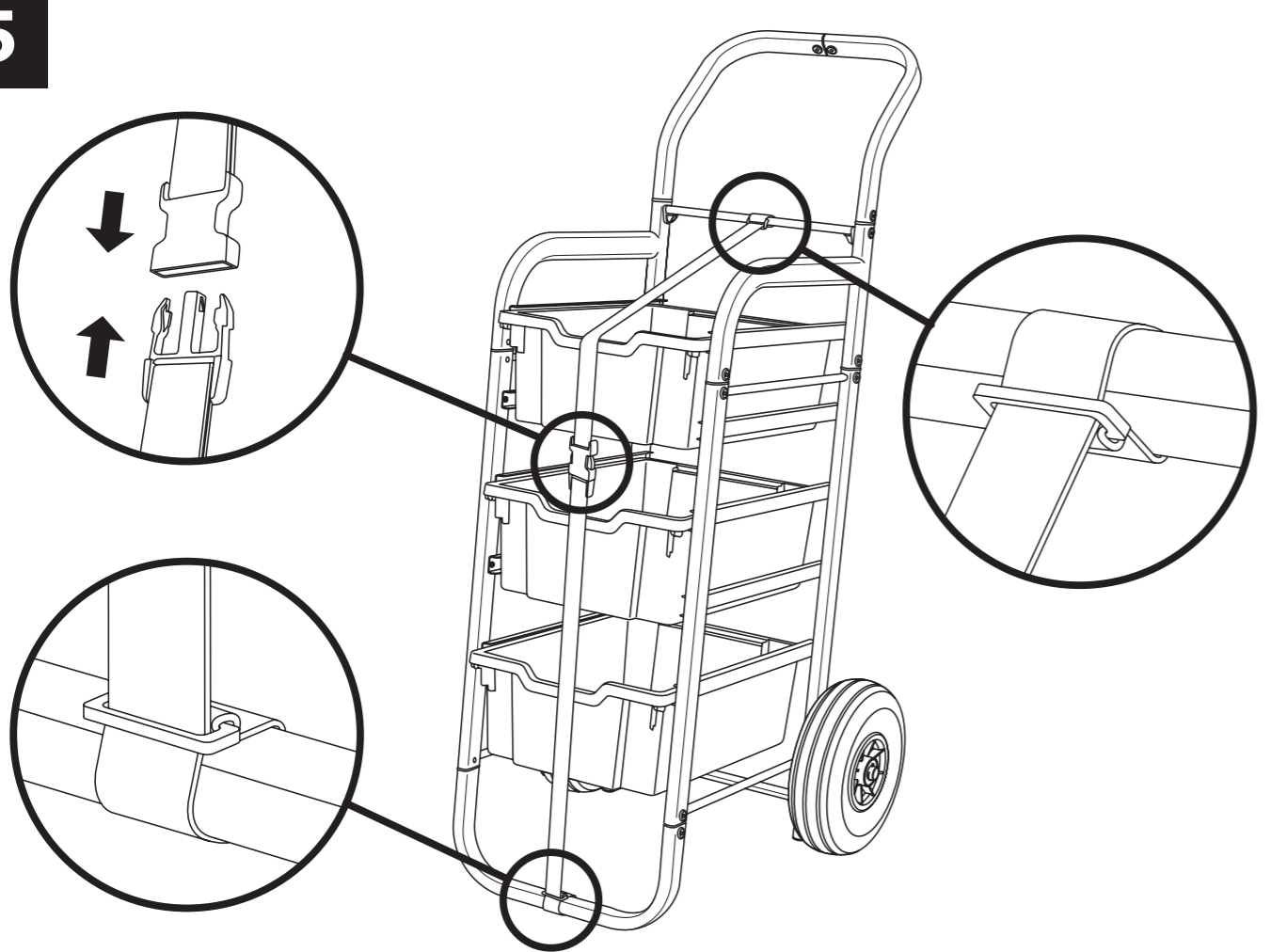
3



4



5



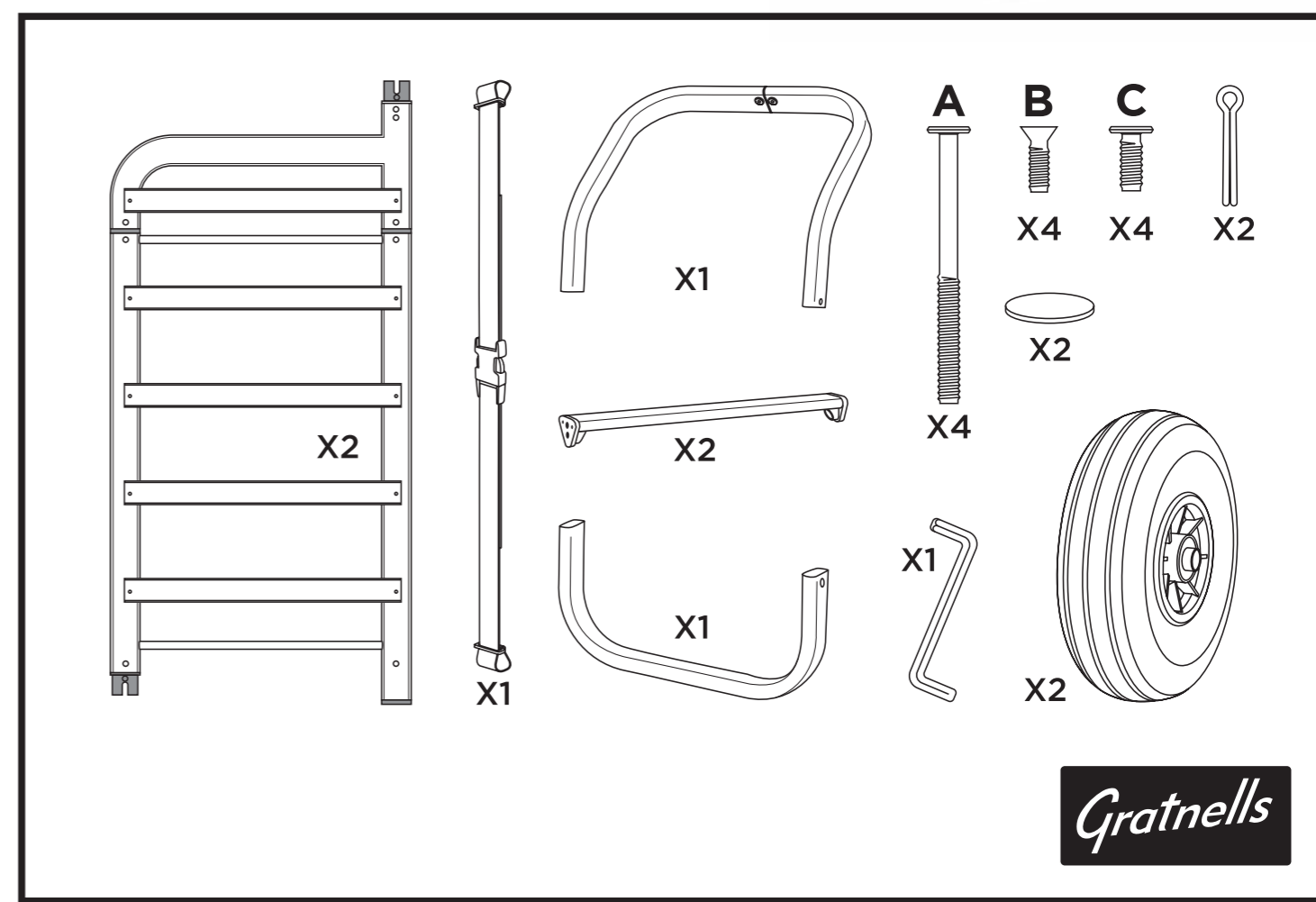
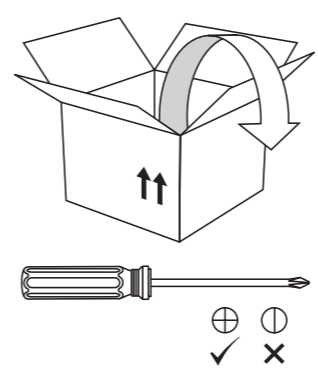
callero
Storage with style.

Assembly Instructions

www.e-quip4education.co.uk

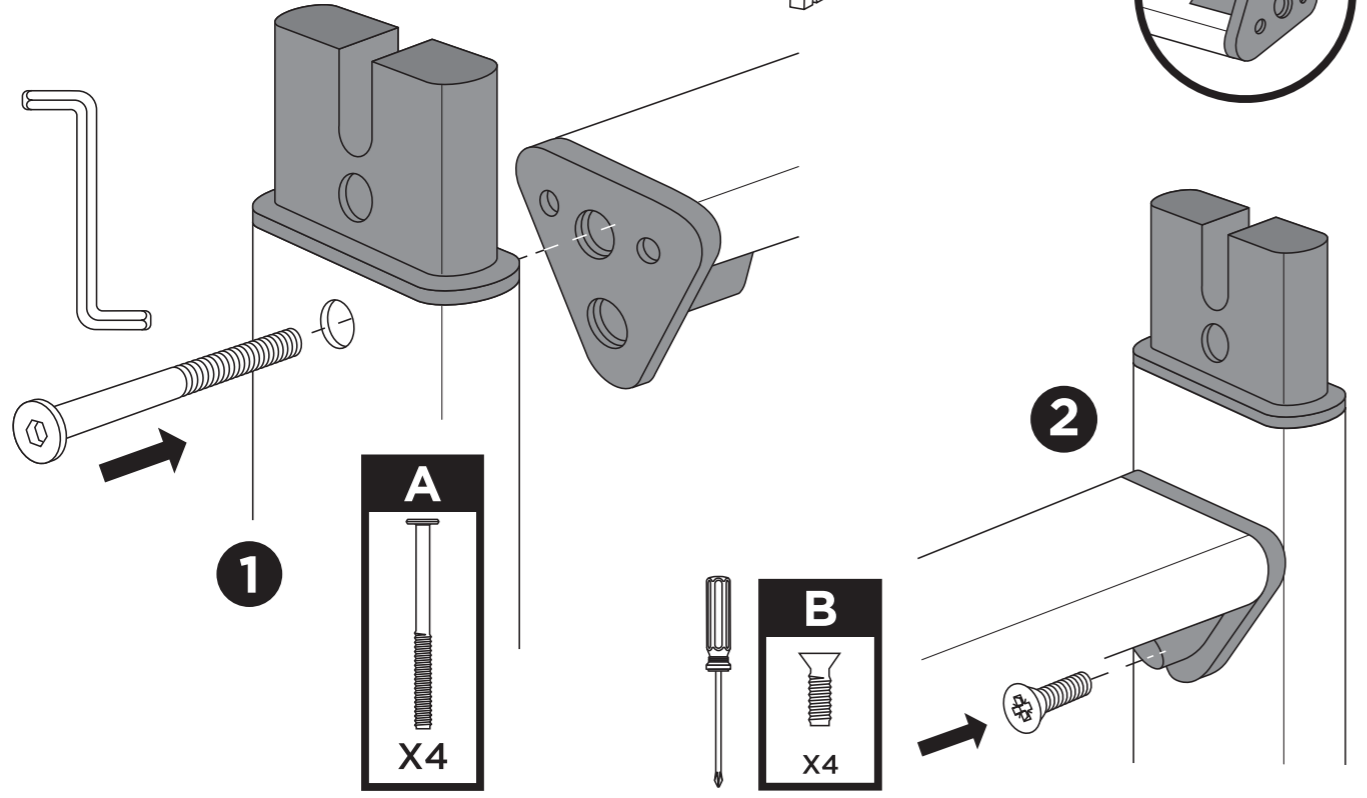
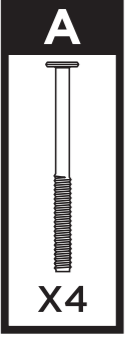
Gratnells Rover

Dimensions: 1170(H) x 560(W) x 760mm(D)



Gratnells

1



2

